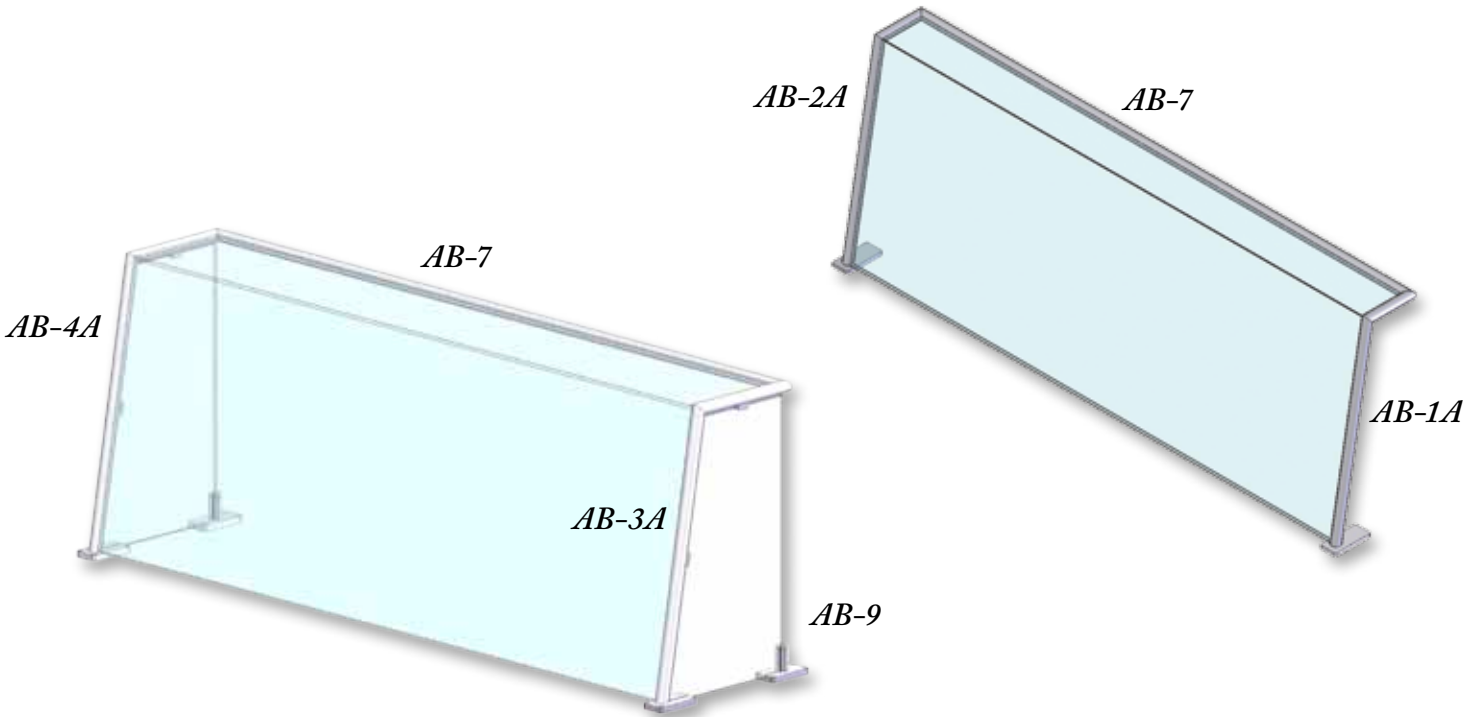
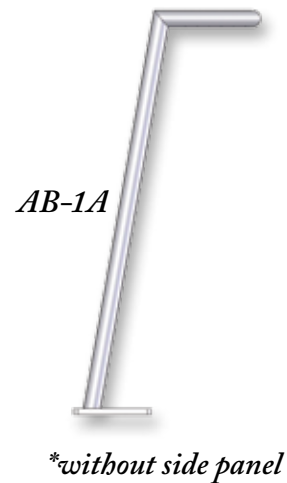


# AMBASSADOR ANGLED STATIONARY SNEEZE GUARD



*Tempered Glass and Groove Tube Construction*



AMBASSADOR ANGLED

*\*If the shelf width required is over 8 inches then side panels must be used to provide additional support*

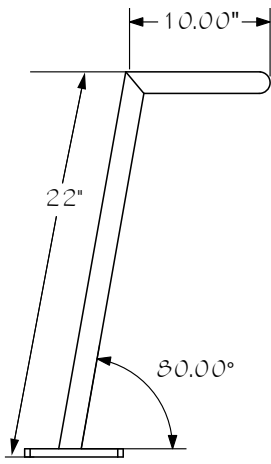
*Glass can be purchased locally or call for pricing from SneezeGuard Solutions*



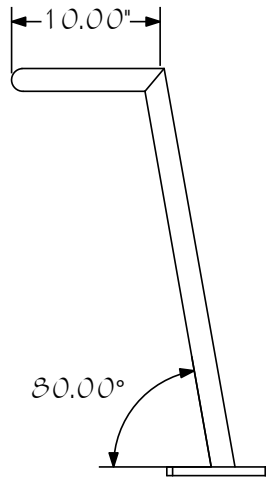
\* Images are computer renderings, not actual photos, some color variance may occur from what is rendered to the actual powder coat finish.

Phone: 800-569-2056  
 Fax: 573-449-7126  
[www.sneezeguardsolutions.com](http://www.sneezeguardsolutions.com)

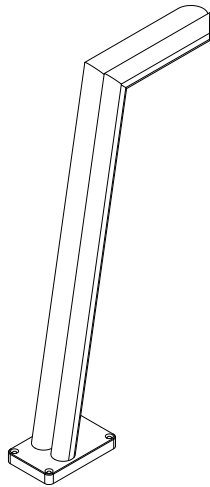
# SPECIFICATIONS



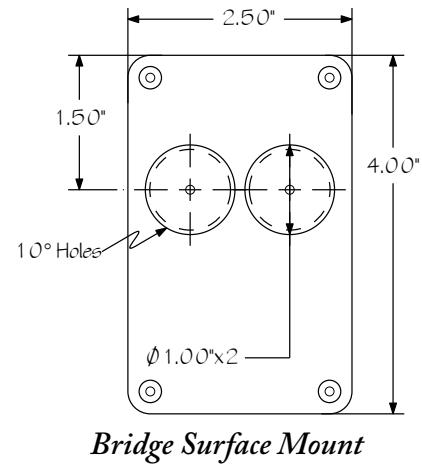
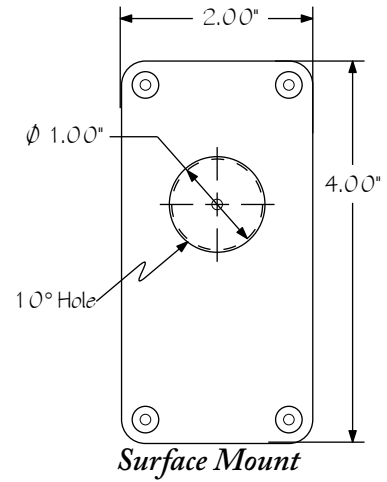
PN# AB-1A



PN# AB-2A

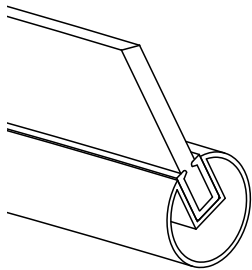


PN# AB-5A



- CUSTOM MADE
- Exclusive extruded 1" Groove Tube frame
- Powder coated finish

AMBASSADOR ANGLED



Part #	Description	Weight	Color
AB-1 A	Right frame side	2 lbs	Black
AB-2 A	Left frame side	2 lbs	Black
AB-3 A	Right side frame w/glass clip	3 lbs	Black
AB-4 A	Left side frame w/ glass clip	3 lbs	Black
AB-5 A	Center frame	5 lbs	Black
AB-7	Shelf frame	1 lb	Black
AB-9	End panel rear foot pad	1 lb	Black

Gold and Silver available upon request

Accepts 1/4" tempered glass. Recommended center line spacing is 42" for 1/4" tempered glass.

\*Please consult the custom sneeze guard chart before ordering to ensure the proper length of guard needed. If there are any questions concerning the procedure please feel free to call (800) 569-2056 M-Th 8am to 5pm CT and Fri 8am to 3pm CT.

Phone: 800-569-2056